

DENON

AVD-2000

Dolby Digital Surround



D·D·S·C
DIGITAL

LAMBDA **SLC**
Super-Linear-Converter

The AVD-2000 Dolby Digital Surround Decoder lets you enjoy multi-channel media of exceptionally high sound quality in a variety of home theaters. At the heart of the AVD-2000 is a combination of the DDSC-Digital, a digital signal processor designed by DENON, and the ADVANCED Super Linear Converter, a state-of-the-art technology used in DENON's award-winning, high-end A/V Receivers, Amplifiers and CD players. This powerful combination delivers the sort of wide dynamic range required for the faithful reproduction of high-quality sound featured in digital recordings of movies.

The AVD-2000 also features an RF Demodulator used in laser disc players, for the popular LD medium that offers a mammoth selection of titles.

Last but not least, the AVD-2000 is equipped with a wealth of digital input/output terminals, including an External Decoder Input to support DTS, MPEG, and other exciting formats coming in the future.

■ Main Features

- Dolby Digital AC-3 Decoder
- DDSC-Digital with 20-bit ADVANCED SLC (Front-ch)
- Cinema Equalizer
- Rich Array of Input/Output Terminals
- 2 Optical/Coaxial Inputs - Low Jitter & Distortion
- 1 RF Input - RF Demodulator for LDP
- 6-ch External Inputs for future multi-channel format
- 6-ch Level Control
- Button Layout for Easy Recognition (Remote Controller)

■ Audio Section

● Input Terminal

- Digital Optical-1 & 2
Coaxial-1 & 2
AC-3 RF (Input Signal: AC-3 RF/PCM)
- Analog External Decoder Inputs
(Front L/R, Center, Surround L/R,
Subwoofer)
Future Mulch channel format upgradable
(DTS, etc.)

● Output Terminal

- Digital out Optical
- Analog Pre-out Front L/R, Center, Surround L/R,
Subwoofer
- Rec. Out Line Out L/R (for Tape)

■ Surround section

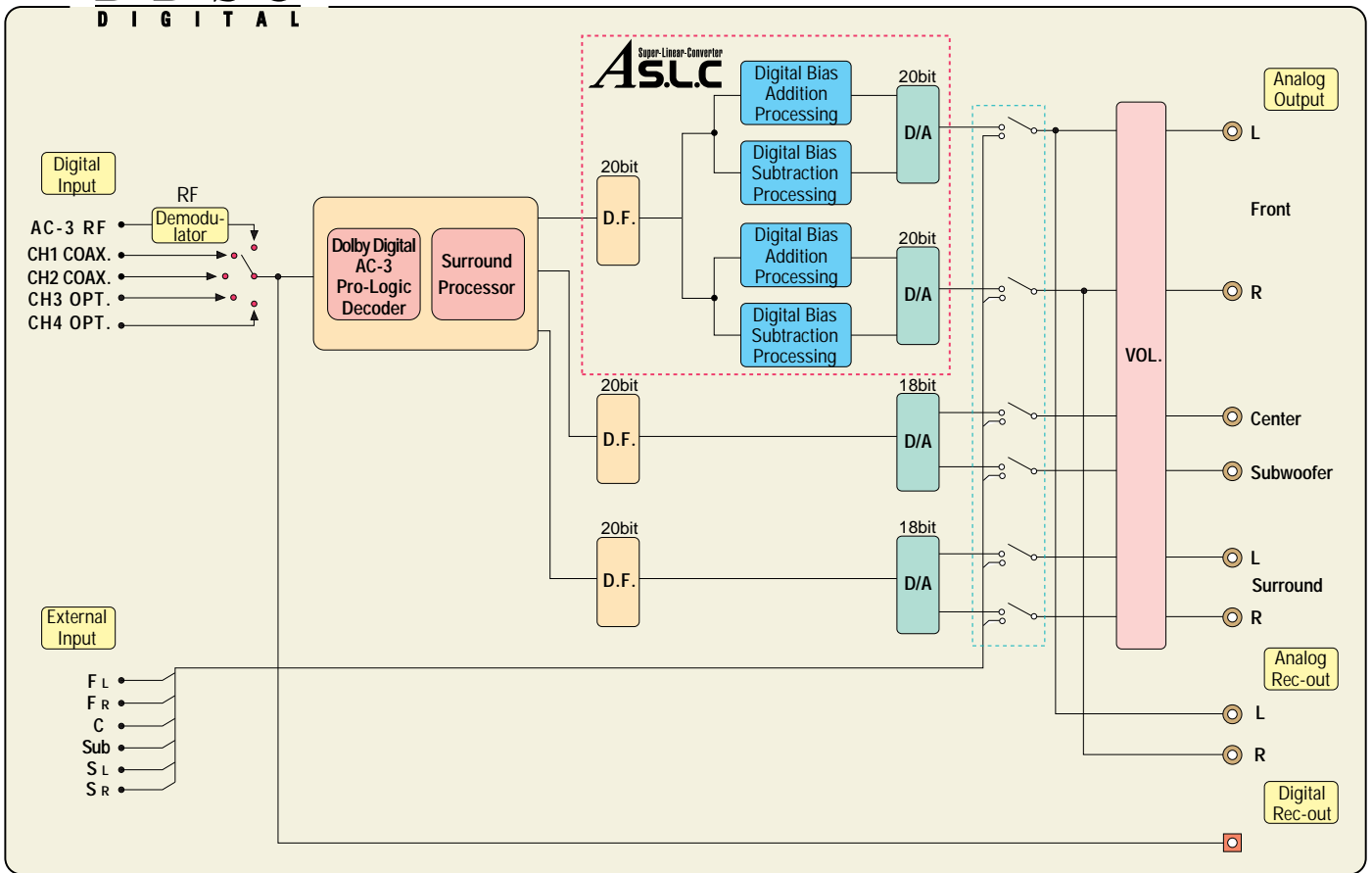
- Surround Mode ... Dolby Digital, Dolby Pro-Logic,
Stereo, 5-ch Stereo,
Matrix, Mono Movie,
Rock Arena, Jazz Club,
Video Game, External Decoder Input
- Decoder DDSC Digital

■ D/A Converter

- Front 20-bit ADVANCED Super Linear
Converter
- Center 18-bit
- Surround 18-bit
- Subwoofer 18-bit
- Equalizer Cinema Equalizer
- Test Tone Auto/Manual
- Delay Time Center/Surround Independent
- Volume Control ... Master/Independent level

■ General Section

- Remote Control ... Simple Remote
- AC Outlet Switched x 1
- Dimensions 434 (W) x 75 (H) x 238 (D) mm
- Weight 3.6 kg



Back Panel

*Design and specifications are subject to change without notice.